

CD100 CD130 CD190

Montalvo CD-Series Compact Dual Disc Brakes

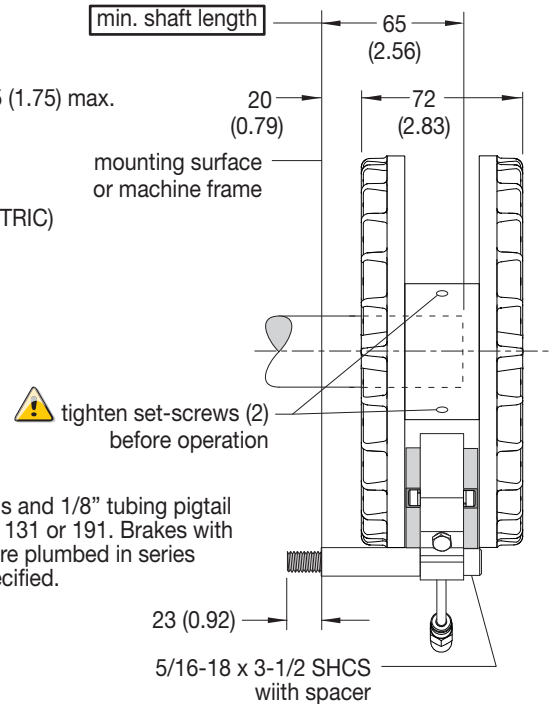
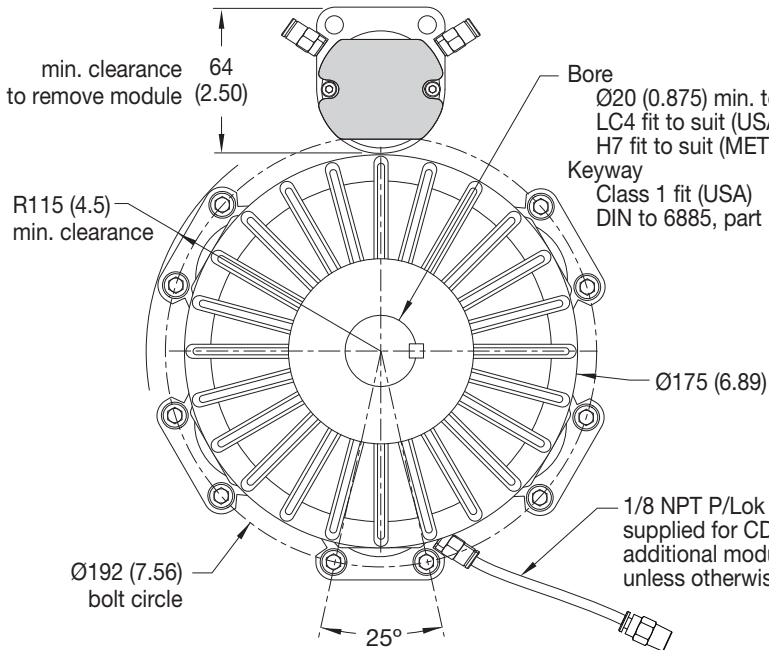
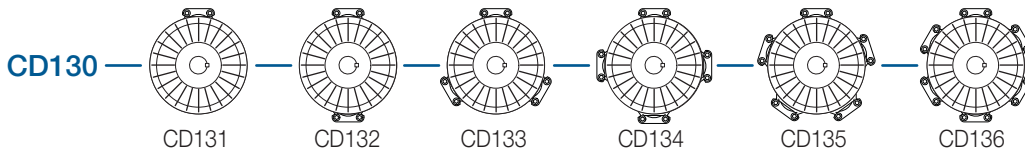
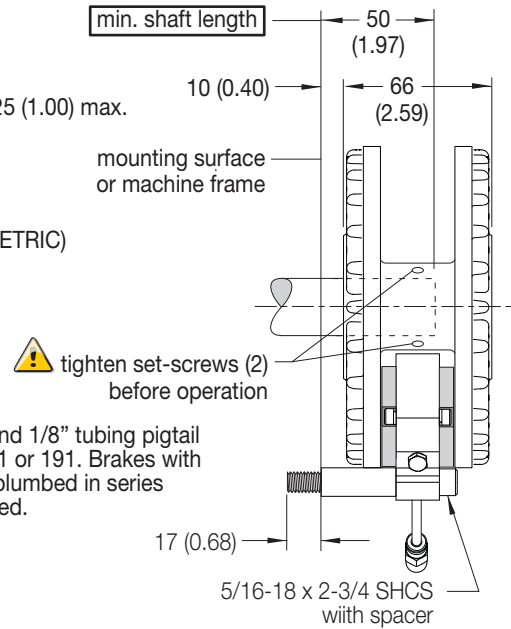
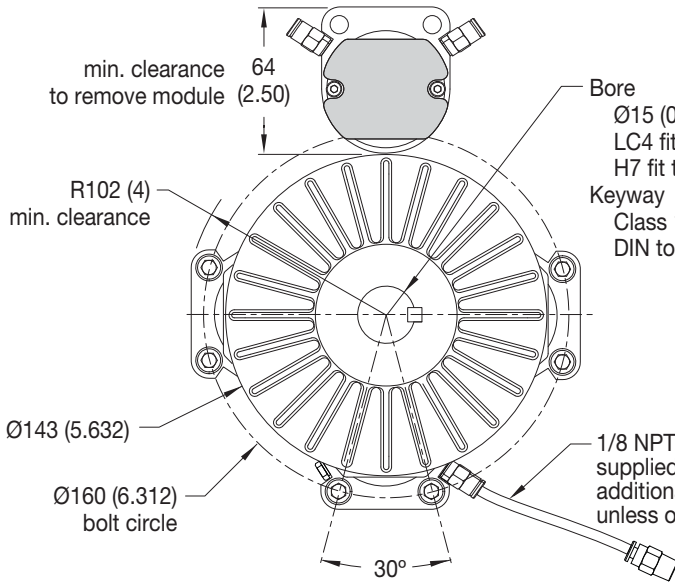
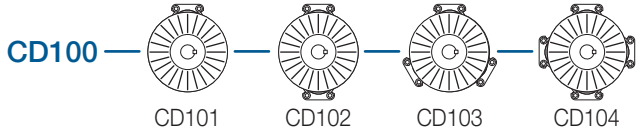
Ultra-light to medium duty tension brakes, with a modular design and interchangeable parts, that are economical and easy to install and maintain.

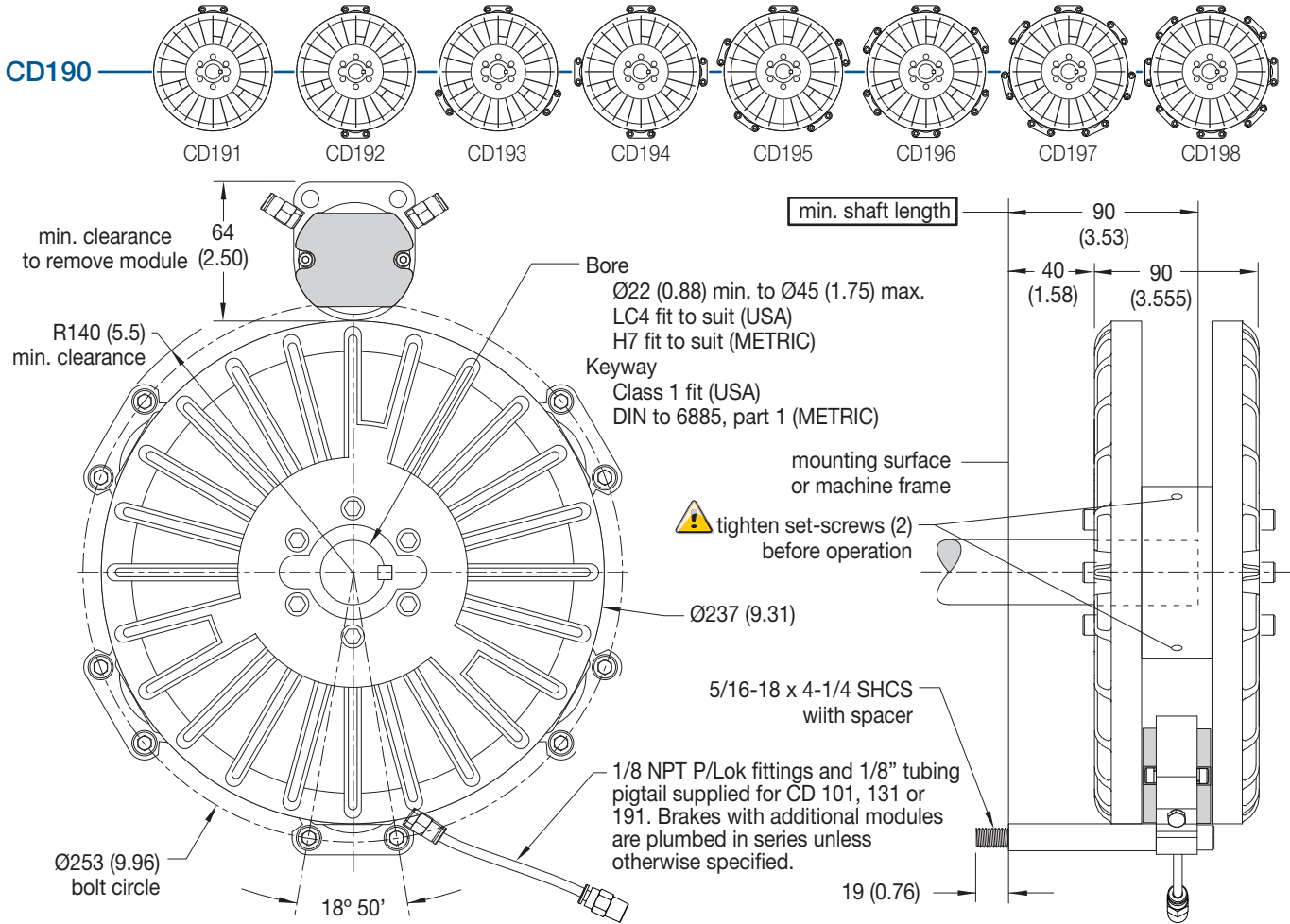
Features

- ▶ **Ideal for web presses and narrow webs**
 - Flexopresses
 - Slitters / Rewinders
 - Label Presses
- ▶ **High capacity, low inertia**
 - Eliminate residual drag
 - Run wider variety of webs
 - Up to 4x the range of a magnetic particle brake
- ▶ **Choose from 3 torque ranges**
 - CD100 to 600 in-lb
 - CD130 to 1200 in-lb
 - CD190 to 2600 in-lb
- ▶ **Versatile C Series Friction Module**
 - Can be configured for customer supplied dual disc, single disc, and caliper disc brakes

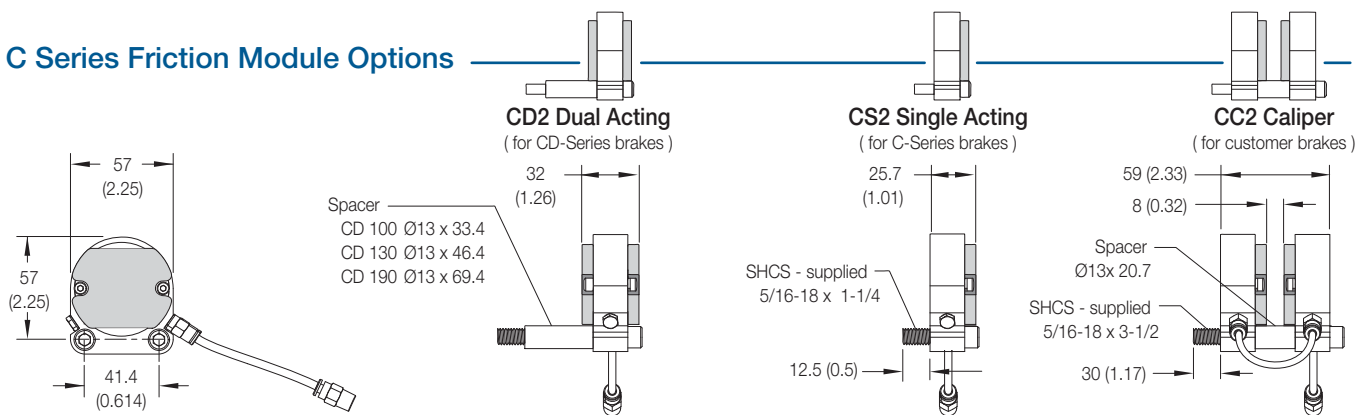


Montalvo CD100 brake replaces inefficient particle brake greatly enhancing performance of a **Mark Andy** press.



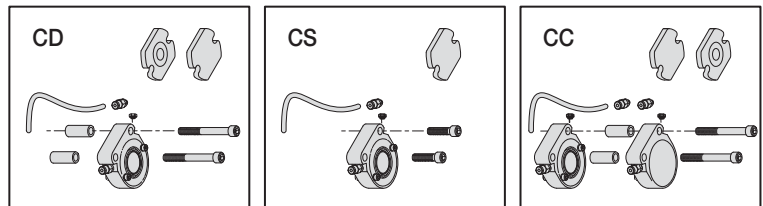


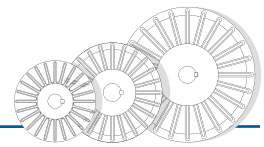
C Series Friction Module Options



Friction module kit to fit..... Ordering Part #

CS 100 / 130 brake.....	10001860
CS 100 / 130 clutch.....	10001852
CD 100 brake.....	10001848
CD 130 brake.....	10001850
CD 190 brake.....	10001862
CD 100 clutch.....	10001844
CD 130 clutch.....	10001846
CC brake.....	10000456
Friction pad* (many types).....	call / visit website



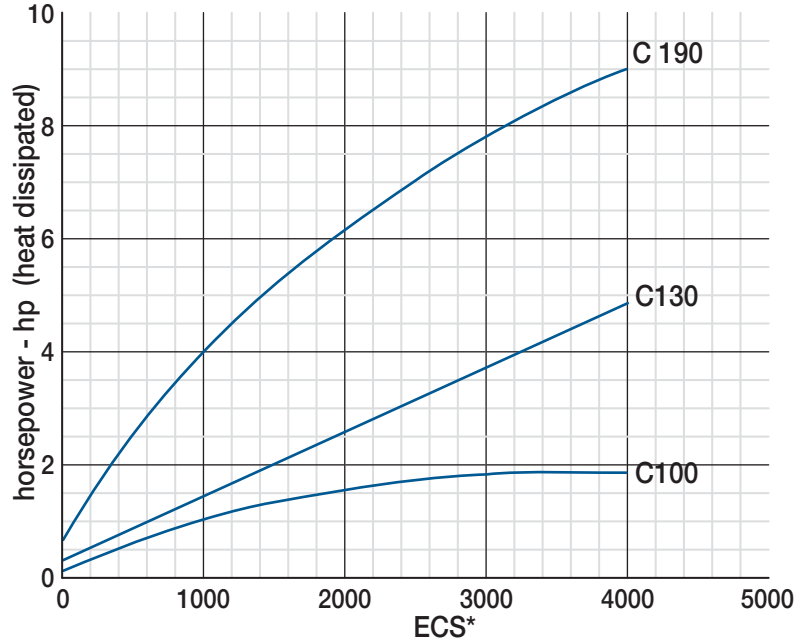


Torque†

	Max. - Min. (in-lb)		
	Max. @ 75 psi - Min. @ 1 psi		
	0.10 Fric. Coef.	0.30 Fric. Coef.	0.45 Fric. Coef.
CD100			
CD101	33	100	150
CD102	66	200	300
CD103	100	300	450
CD104	132	400	600
CD130			
CD131	44	133	200
CD132	88	266	400
CD133	132	400	600
CD134	176	533	800
CD135	220	666	1000
CD136	264	885	1200
CD190			
CD191	72	216	326
CD192	144	432	648
CD193	216	648	978
CD194	288	864	1296
CD195	360	1080	1630
CD196	432	1296	1956
CD197	504	1512	2282
CD198	576	1728	2608

† Friction coefficients are nominal. Rated torque may vary depending on operating temperature.

Effective Cooling Speed*



*Effective Cooling Speed (ECS)
 The speed at which a brake will dissipate a given heat horsepower.

$$ECS = \frac{2 (\text{rpm min.}) + \text{rpm max.}}{3}$$

Testing

The brakes were mounted as recommended in the Brakes Installation Instruction Manual. No guard or cover was used. Addition of machine guarding, fan or blower cooling, differences in ambient conditions, location, mounting method, etc. will affect heat (hp) dissipation capacity of any air cooled brake. Careful consideration should be given to all conditions surrounding installation. Please consult The Montalvo Corporation for help in application sizing.

Temperature

Ambient	55 - 60°F
Cast Iron Bulk (humidity)	350°F 65 - 70%

Note

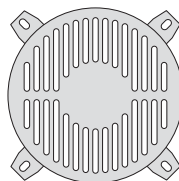
Montalvo Brakes are called upon to operate within a wide speed range when used in converting applications. They do not carry "nominal" ratings.

Size	Max. Speed* (rpm)	Inertia (Wr ²) (disc-hub) lb/ft ²	Total Weight (lb)
CD100	7000	0.013	6.5
CD130	5500	0.024	10
CD190	4285	0.061	23

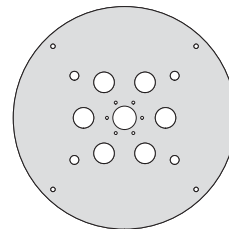
* Do not use to calculate horsepower.

Related Montalvo Products

Safety Covers



Mounting Plates



I/P Converters



	207-856-2501 / 800-226-8710
	+45 75 57 27 11
	+49-(0)2546-325
	+86-21-61401822

The Montalvo Corporation

50 Hutcherson Drive, Gorham, Maine 04038 USA
 Fax: 1-800-644-5097 / 207-856-2509

montalvo
 Better Web Control®